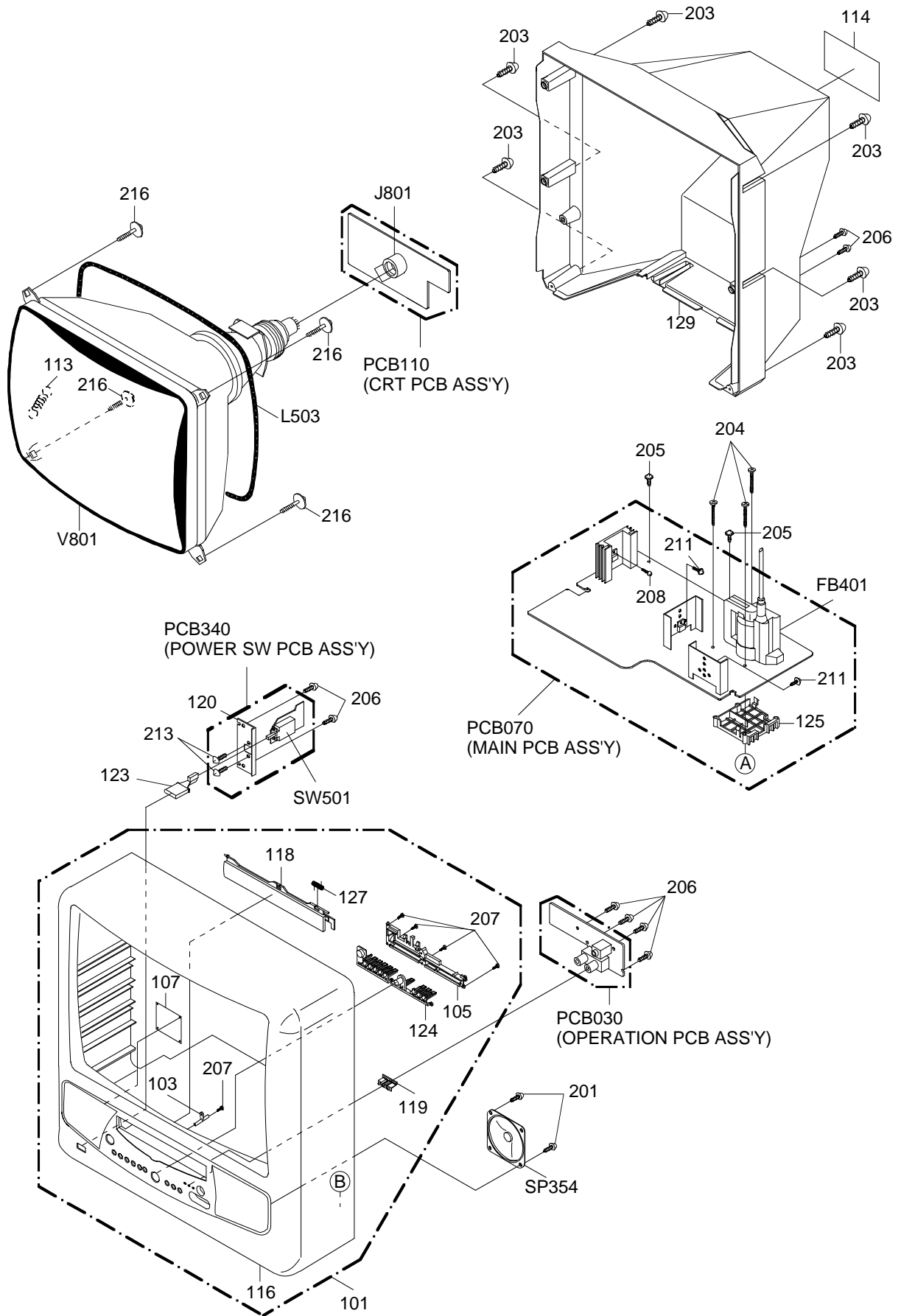
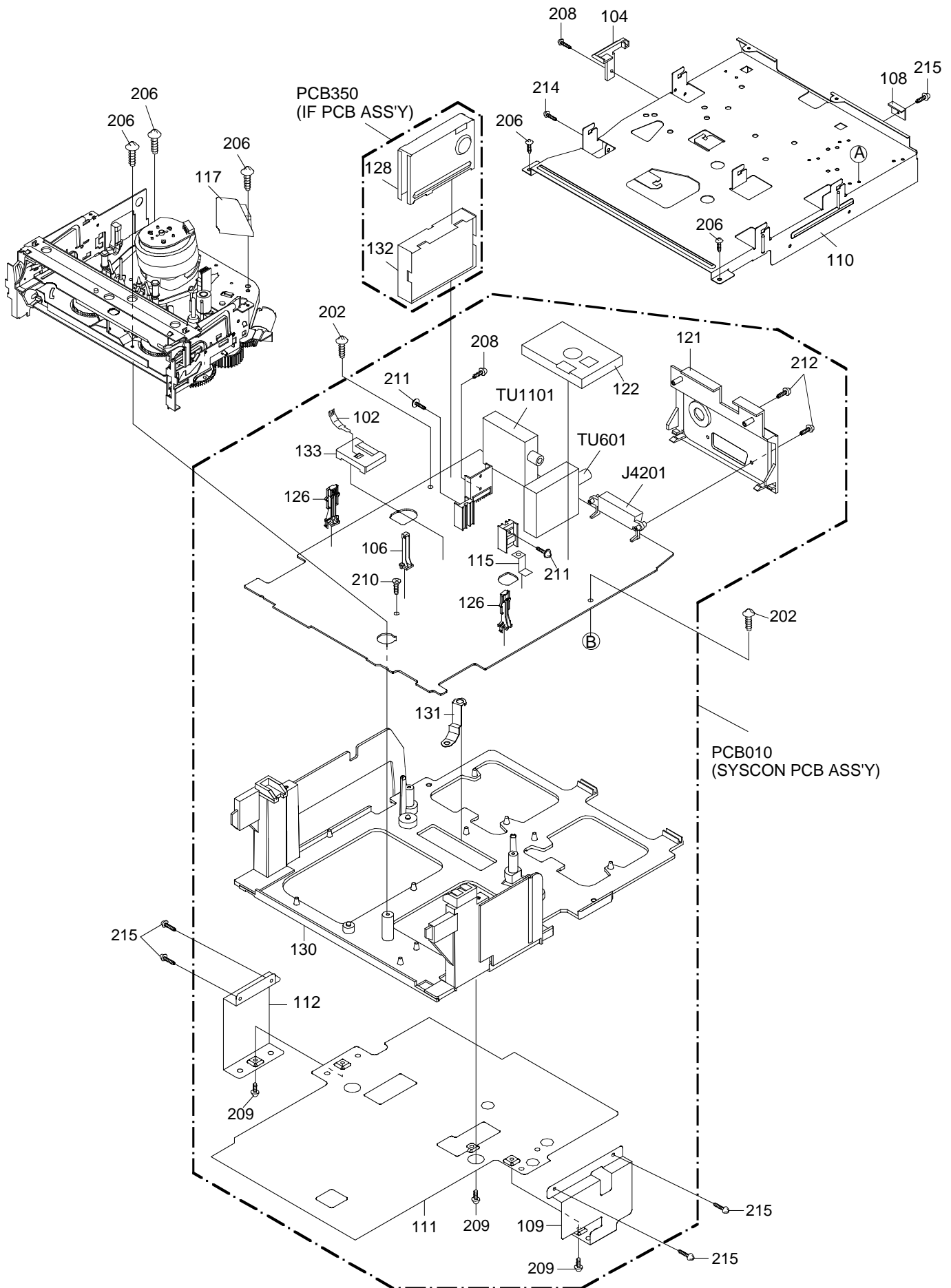


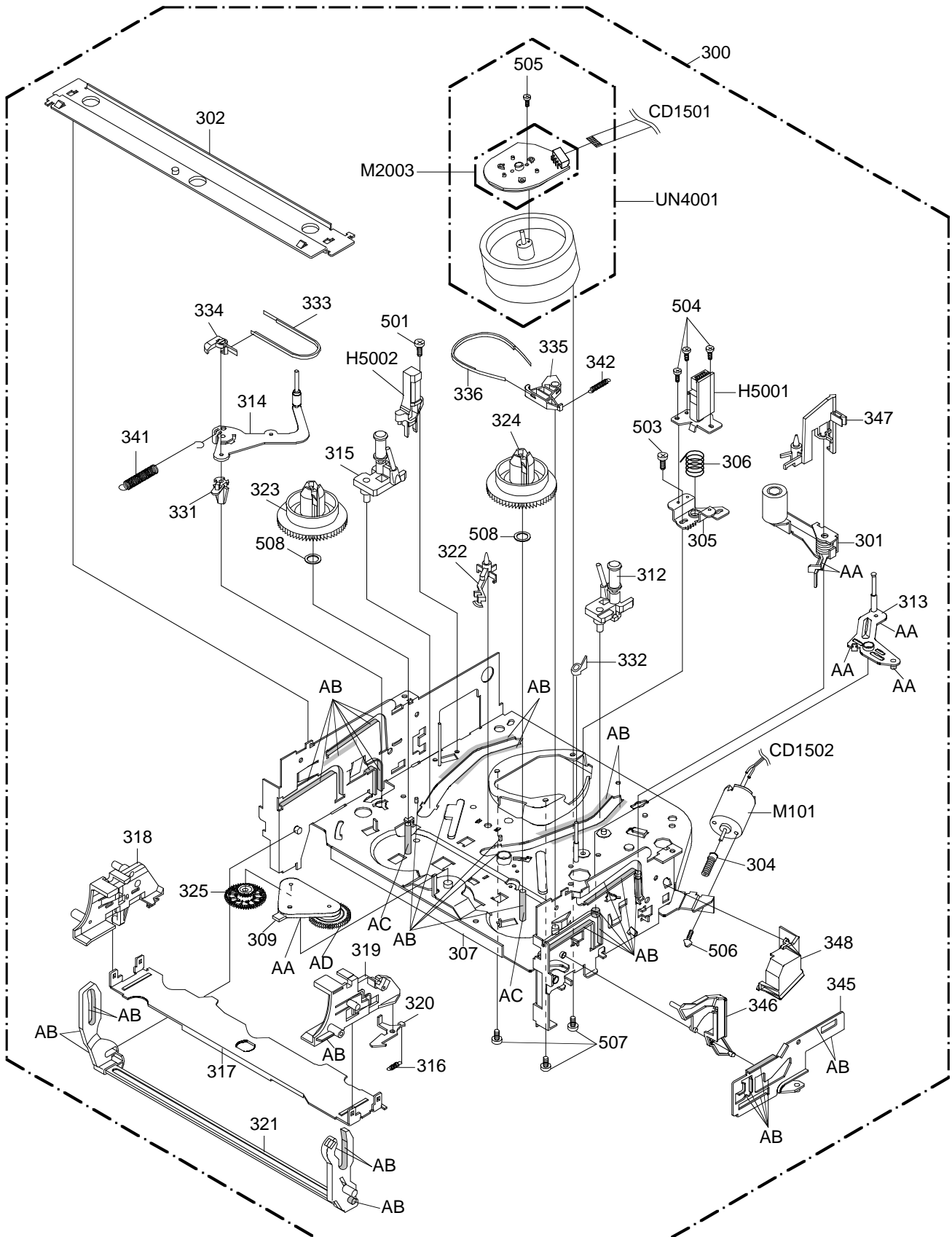
MECHANICAL EXPLODED VIEW



MECHANICAL EXPLODED VIEW



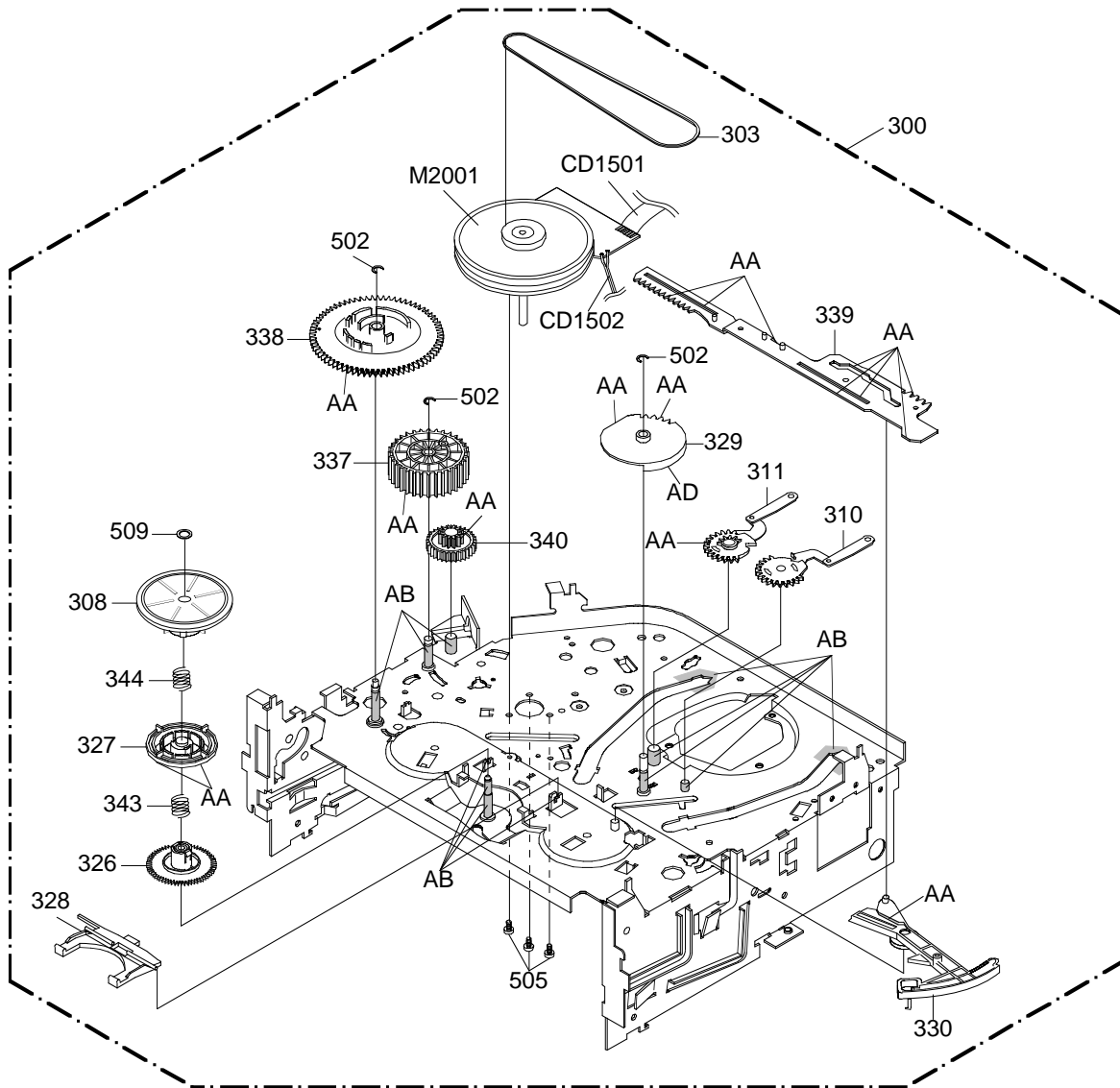
CHASSIS EXPLODED VIEW (TOP VIEW)



CLASS	PART NO.	MARK
GREASE	G-555G	AA
	MG-33	AB
	FG-84M	AC
	FL-721	AD

NOTE: Applying positions AA, AB, AC and AD for the grease are displayed for this section. Check if the correct grease is applied for each position.

CHASSIS EXPLODED VIEW (BOTTOM VIEW)



CLASS	PART NO.	MARK
GREASE	G-555G	AA
	MG-33	AB
	FG-84M	AC
	FL-721	AD

NOTE: Applying positions AA, AB, AC and AD for the grease are displayed for this section. Check if the correct grease is applied for each position.

MECHANICAL REPLACEMENT PARTS LIST

REF. NO.	PART NO.	DESCRIPTION		
101	A5D608G720K	CABINET,FRONT ASSY		
102	753WUAA006	SPRING,EARTH HEAD AMP		
103	713WPAA044	GUIDE,REMOCON		
104	761WPA0151	HOLDER,M/PCB		
105	735WPAA356	BUTTON,BASE		
106	85OP700037	HOLDER,LED		
107	800WQ00048	FELT,SHEET	75x75	
108	761WPA0239	HOLDER,TV-PCB		
109	752WSA0269	PLATE,SHIELD BOTTOM(R)		
110	752WSA0278	PLATE,DECK SHIELD ASS'Y		
111	752WSA0267	PLATE,SHIELD BOTTOM		
112	752WSA0270	PLATE,SHIELD BOTTOM(L)		
113	741WUA0002	SPRING,EARTH		
114	722566A010	SHEET,RATING		
115	753WSA0118	PLATE,EARTH-SYSCON		
116	701UPJA118	CABINET,FRONT		
117	752WSA0275	COVER,AC HEAD		
118	712WPJB632	FLAT,FLAP		
119	713WPAA049	GLASS LED		
120	752WSA0256	PLATE,POWER SW		
121	771WPA0266	PLATE,JACK		
122	752WSA0238	SHIELD,CASE		
123	735WPBA153	BUTTON,POWER		
124	735WPBA533	BUTTON,FRAME		
125	761WPA0223	HOLDER,FBT		
126	85OP700038	HOLDER,END SENSOR		
127	743WKA0032	SPRING,FLAP(COMBO)		
128	752WSAA014	IF SHIELD CASE		
129	702UPA0201	CABINET,BACK		
130	761WPA0237	HOLDER,DECK		
131	753WSA0144	PLATE,BOTTOM-EARTH		
132	752WSA0033	IF SHIELD BOTTOM		
133	752WSA0230	SHIELD,CASE HEAD AMP		
201	8110330A04	SCREW,TAP TITE(P)	FLAT	3x10
202	8117540B04	SCREW,TAPPING(B0)	TRUSS	4x20
203	8117540A64	SCREW,TAPPING(B0)	TRUSS	4x16
204	8107630B04	SCREW,TAP TITE(S)	BRAZIER	3x20
205	8107930604	SCREW,CUP(S)		3x6
206	8110630A24	SCREW,TAP TITE(P)	BRAZIER	3x12
207	8110630A04	SCREW,TAP TITE(P)	BRAZIER	3x10
208	8107630804	SCREW,TAP TITE(S)	BRAZIER	3x8
209	8110630604	SCREW,TAP TITE(P)	BRAZIER	3x6
210	8110330804	SCREW,TAP TITE(P)	FLAT	3x8
211	8109130A04	SCREW,TAP TITE(B)	WH7	3x10
212	8110630804	SCREW,TAP TITE(P)	BRAZIER	3x8
213	810A130504	SCREW/WASHER(A)		M3x5
214	8109630604	SCREW,TAP TITE(B)	BRAZIER	3x6
215	8107630604	SCREW,TAP TITE(S)	BRAZIER	3x6
216	8121J50B54	SCREW,TAP TITE(P)	GW20	5x28
---	A5D608G975	INSTRUCTION BOOK KIT		
---	791MHA0004	LAMIFILM BAG		
---	792UHA0147	PACKAGE, TOP		
---	792UHA0148	PACKAGE, BOTTOM		
---	793UCDB082	GIFT BOX		
---	J5860702	GUARANTEE CARD		
---	J5D60801A	INSTRUCTION BOOK		
---	JB5X0200	POLYBAG, INSTRUCTION		

CHASSIS REPLACEMENT PARTS LIST

REF. NO.	PART NO.	DESCRIPTION	REF. NO.	PART NO.	DESCRIPTION
300	A5D601G420A	DECK ASSY A5D601G420A	501	8107226804	SCREW,TAP TITE(S) BIND 2.6x8
			502	83ETW30000	E-RING 3
301	85OA400234	PINCH ROLLER BLOCK	503	8107226404	SCREW,TAP TITE(S) BIND 2.6x4
302	85OP900746	BRACKET, TOP 3V	504	8102120604	SCREW,PAN M2x6
303	85OP200290	BELT,CAPSTAN (S)	505	8109126604	SCREW,TAP TITE(B) PAN 2.6x6
304	85OP600581	WORM	506	810A130404	SCREW/WASHER(A) M3x4
305	85OP500083	BASE,AC HEAD	507	810A126504	SCREW/WASHER(A) M2.6x5
306	85OP800324	SPRING,AC HEAD	508	82Q264713N	POLYSLIDER WASHER 2.6x4.7xT0.13
307	85OA000459	MAIN CHASSIS ASS'Y	509	82P184505N	POLYSLIDER WASHER(CUT) 1.8x4.5xT0.5
308	85OA200089	CLUTCH ASS'Y			
309	85OA200090	ARM IDLER ASS'Y	CD1501	122H071603	CORD JUMPER SMCD-7X151
			CD1502	122Y021902	CORD JUMPER 2Y021902
310	85OA300065	LOADING ARM S UNIT	H5001	1523D91034	HEAD (AUDIO CONTROL) HVMXA1072A
311	85OA300066	LOADING ARM T UNIT	H5002	1543D02013	HEAD (FULL ERASE) HVFHP0032A
312	85OA400223	INCLINED BASE T UINT 3S	△ M101	1596S98001	MOTOR (LOADING) MDB2B66 or
313	85OA400232	P5 ARM ASS'Y 2		1596S98001	MOTOR (LOADING) MXN13FB12K3
314	85OA400235	TENSION ARM ASS'Y 2	△ M2001	1510S98036	CAPSTAN DD UNIT F2QVB08
315	85OA400231	INCLINED BASE S UNIT	M2003	1589S11017	MICRO MOTOR I2OAL05
316	85OP800358	SPRING,LOCKER	△ UN4001	A5D601G500	CYLINDER UNIT ASS'Y A5D601G500
317	85OP900736	CASS,HOLDER			
318	85OP900748	CASS,SIDE L			
319	85OP900749	CASS,SIDE R			
320	85OP900739	LOCKER,R			
321	85OA900228	LINK UNIT			
322	85OP000496	POST,CASS GUIDE			
323	85OP200316	REEL,S (S)			
324	85OP200317	REEL,T (S)			
325	85OP200308	GEAR,IDLER			
326	85OP200311	GEAR,CLUTCH			
327	85OP200312	GEAR,COUPLING			
328	85OP200313	LEVER,CLUTCH			
329	85OP300194	GEAR,MAIN LOADING			
330	85OP400490	LEVER,TENSION			
331	85OP400492	HOLDER,TENSION			
332	85OP400520	CAP.P4			
333	85OP400542	BAND,TENSION			
334	85OP400533	CONNECT,TENSION			
335	85OP600573	ARM,BRAKE T			
336	85OP600584	BAND,BRAKE T			
337	85OP600577	CAM,PINCH ROLLER			
338	85OP600578	CAM,MAIN			
339	85OP600579	ROD,MAIN			
340	85OP600582	GEAR,JOINT			
341	85OP800322	SPRING,TENSION			
342	85OP800360	SPRING,BRAKE T			
343	85OP800355	SPRING,COUPLING			
344	85OP800356	SPRING,RING			
345	85OP900750	LEVER,LINK 2			
346	85OP900744	LEVER,FLAP			
347	85OP900745	CASS,OPENER			
348	85OP700039	COVER,BOT			

ELECTRICAL REPLACEMENT PARTS LIST

REF. NO.	PART NO.	DESCRIPTION	REF. NO.	PART NO.	DESCRIPTION
RESISTORS			DIODES		
R418	R3X181151J	R,METAL OXIDE 150 OHM 1W	D611	D1VT001330	DIODE,SILICON 1SS133T-77
R423	R3X28A271J	R,METAL OXIDE 270 OHM 2W	D791	002132Q130	LED SLZ-936C-07-S-T1
△ R447	R635U2820J	R,FUSE 82 OHM 1/2W	D792	002132Q130	LED SLZ-936C-07-S-T1
R448	R3X181102J	R,METAL OXIDE 1K OHM 1W	D793	002132Q130	LED SLZ-936C-07-S-T1
△ R501	R5X34E2R2J	R,CEMENT 2.2 OHM 7W	D1001	D97U01501B	DIODE,ZENER MTZJ15B T-77
△ R509	R63581R22J	R,FUSE 0.22 OHM 1W	D1002	D1VT001330	DIODE,SILICON 1SS133T-77
R512	R3X181223J	R,METAL OXIDE 22K OHM 1W	D1003	0010100320	INFRARED LED LNA2702L010R
△ R527	R3X181R18J	R,METAL OXIDE 0.18 OHM 1W	D1006	D2WXS1400	DIODE SCHOTTKY SB140-EIC
R804	R3X18A123J	R,METAL OXIDE 12K OHM 2W	D1010	D2WXS1400	DIODE SCHOTTKY SB140-EIC
R806	R3X18A123J	R,METAL OXIDE 12K OHM 2W	D1017	D1VT001330	DIODE,SILICON 1SS133T-77
R808	R3X18A123J	R,METAL OXIDE 12K OHM 2W	D1021	D1VT001330	DIODE,SILICON 1SS133T-77
R816	R3X1811R8J	R,METAL OXIDE 1.8 OHM 1W	D1201	D2BT0AK040	DIODE SCHOTTKY BARRIER AK04V0
CAPACITORS			D1202	D2WT011E10	DIODE SILICON 11E1-EIC
C322	E02LF3102M	CE 1000 UF 25V	D1203	D2WXS1400	DIODE SCHOTTKY SB140-EIC
C405	E5EZF3222M	CE 2200 UF 25V	D1252	D1VT001330	DIODE,SILICON 1SS133T-77
C423	P4J7F3334J	CMPP 0.33 UF 250V PMS	D1261	D1VT001330	DIODE,SILICON 1SS133T-77
C424	P4N8FJ862H	CMPP 0.0086UF 1.25KV	D2801	D1VT001330	DIODE,SILICON 1SS133T-77
C450	C0PLRR7H2K	CC 220 PF 2KV RR	D3001	D28TQS04N0	DIODE SCHOTTKY 11EQS04N-TA1B2
C502	C0PLRR7U2K	CC 680 PF 2KV RR	D3002	D1VT001330	DIODE,SILICON 1SS133T-77
C503	C13HB07H3K	CC 0.0022UF 2KV B	D3003	D2WT011E10	DIODE SILICON 11E1-EIC
C504	C13HB07H3K	CC 0.0022UF 2KV B	D3004	D97U01001B	DIODE,ZENER MTZJ10B T-77
△ C505	P2122B224M	CMP 0.22 UF 275V ECQUL	D4001	D28TQS04N0	DIODE SCHOTTKY 11EQS04N-TA1B2
△ C506	P2122B104M	CMP 0.1 UF 275V ECQUL	D4202	D2WXS1400	DIODE SCHOTTKY SB140-EIC
C507	E52D0H221M	CE 220 UF 400V	D4203	D1VT001330	DIODE,SILICON 1SS133T-77
C513	C0J0SL4U2J	CC 680 PF 50V SL	D4210	D1VT001330	DIODE,SILICON 1SS133T-77
C514	C0J0B05Q2K	CC 470 PF 500V B	D6001	DD1R0MA770	DIODE,SILICON MA77
C515	C0J0B05Q2K	CC 470 PF 500V B	D6002	DD1R0MA770	DIODE,SILICON MA77
C517	C0PLRR7H3K	CC 0.0022 UF 2KV RR	ICS		
C521	E62NFC221M	CE 220 UF 200V	IC352	I0FSP75230	IC AN7523
C523	E5EZF3222M	CE 2200 UF 25V	IC401	I0WTD81740	IC TDA8174A
C524	E5EZF3102M	CE 1000 UF 25V	△ IC501	I0WD015070	IC TEA1507P/N1
△ C529	CD39E0MH3M	CC 0.0022UF 250V	△ IC506	0002E00610	PHOTO COUPLER LTV-817M-VB
C530	CD39E0M13M	CC 0.001 UF 250V	IC601	I0WDE2248C	IC STV2248C
C531	E5EZF2332M	CE 3300 UF 16V	IC602	I0QF02534V	IC NJM2534V(Te2)
C533	CD39E0M13M	CC 0.001 UF 250V	IC603	I03D079560	IC LA7956
C540	C0PLRR7E3K	CC 0.0015 UF 2KV RR	IC1002	IC7J0311A0	IC R311N311A/C-TR
C544	C0PLRR7H2K	CC 220 PF 2KV RR	IC1006	I54F50113B	IC OEC0113B
C701	CHG0B0413K	CC 0.001 UF 50V B	IC1099	A5D601G015	IC S-24C08AFJA-TB-01
	CHGTB0413K	CC 0.001 UF 50V B	IC1201	ICKF0008B0	IC ET-TV008B
C702	CHG0B0413K	CC 0.001 UF 50V B	IC1202	I0UF012310	IC MM1231XF
	CHGTB0413K	CC 0.001 UF 50V B	IC2801	I03F073580	IC LA7358M
C808	C0PLRR713K	CC 0.001 UF 2KV RR	IC3001	I1KA98R09A	IC KIA78R09API or
C1003	E51A0P104Z	CE 0.1 F 5.5V	IC3002	I0GA909RD0	IC PQ09RD08
C1203	P6M900474J	CMPL 0.47 UF 50V TF	IC3003	I1KA98R050	IC KIA78R05PI
C3011	E02L02471M	CE 470 UF 16V	IC3004	I1KA98R050	IC KIA78R05PI
DIODES			IC4001	I04F38217F	IC HA118217F
D351	D1VT001330	DIODE,SILICON 1SS133T-77	IC4201	I0QF02533V	IC NJM2533V(Te2)
D403	D2WT011E10	DIODE SILICON 11E1-EIC	IC6003	I0KFA98180	IC TDA9818T
D405	D1VT001330	DIODE,SILICON 1SS133T-77	TRANSISTORS		
D406	D1VT001330	DIODE,SILICON 1SS133T-77	Q301	T8YJ2412K0	TRANSISTOR SILICON 2SC2412KT146 R,S
D411	D2WXN49370	DIODE SILICON 1N4937	Q302	T8YJ2412K0	TRANSISTOR SILICON 2SC2412KT146 R,S
D413	D2WXN49370	DIODE SILICON 1N4937	Q303	TNAAB05003	COMPOUND TRANSISTOR KRC102SRTK
△ D501	D4LZBL06L0	DIODE GBL06L-6177	Q306	TNAAJ05003	COMPOUND TRANSISTOR KRC111SRTK
D502	D1VT001330	DIODE,SILICON 1SS133T-77	Q405	TC5T01627Y	TRANSISTOR SILICON 2SC1627_Y(TPE2)
D503	D2WT011E10	DIODE SILICON 11E1-EIC	△ Q406	TDUU024990	TRANSISTOR SILICON 2SD2499(LB0EC1)
D505	D2WXB290S0	DIODE SILICON SB290S	Q501	T410K26470	FET 2SK2647-01MR
D506	D2WT011E10	DIODE SILICON 11E1-EIC	Q503	TA3T1371A0	TRANSISTOR,SILICON 2SA1371(D,E)-AE
D507	D1VT001330	DIODE,SILICON 1SS133T-77	Q504	TCATC31980	TRANSISTOR,SILICON KTC3198-AT(Y,GR)
D508	D2WXN49370	DIODE SILICON 1N4937	Q505	TC3T029090	TRANSISTOR,SILICON 2SC2909(S,T)-AA
D509	D2WXB290S0	DIODE SILICON SB290S	Q507	TCATC31980	TRANSISTOR,SILICON KTC3198-AT(Y,GR)
D510	D2WXR03AM0	DIODE SILICON RU3AM-EIC	Q601	T8YJ2412K0	TRANSISTOR SILICON 2SC2412KT146 R,S
D512	D2WXB290S0	DIODE SILICON SB290S	Q602	T8YJ2412K0	TRANSISTOR SILICON 2SC2412KT146 R,S
D514	D2WXB290S0	DIODE SILICON SB290S	Q603	TPAAB05001	COMPOUND TRANSISTOR KRA102SRTK
D515	D97U03301B	DIODE,ZENER MTZJ33B T-77	Q604	T8AA03881S	TRANSISTOR SILICON KTC3881S-RTK
D516	D1VT001330	DIODE,SILICON 1SS133T-77	Q605	T8AA03881S	TRANSISTOR SILICON KTC3881S-RTK
D519	D2WXB290S0	DIODE SILICON SB290S	Q606	TNAAC05002	COMPOUND TRANSISTOR KRC103SRTK
D523	D2WXB290S0	DIODE SILICON SB290S	Q607	TC3T030000	TRANSISTOR,SILICON 2SC3000-AA
D524	D2WT011E10	DIODE SILICON 11E1-EIC	Q609	TNAAC05002	COMPOUND TRANSISTOR KRC103SRTK
D528	D97U05R61B	DIODE,ZENER MTZJ5.6B T-77	Q610	T8YJ2412K0	TRANSISTOR SILICON 2SC2412KT146 R,S
D533	D1VT001330	DIODE,SILICON 1SS133T-77	Q611	T8YJ2412K0	TRANSISTOR SILICON 2SC2412KT146 R,S
D601	DD1R0MA770	DIODE,SILICON MA77	Q801	TCA0042170	TRANSISTOR SILICON KTC4217(O,Y)
D602	D2WT011E10	DIODE SILICON 11E1-EIC	Q802	TCA0042170	TRANSISTOR SILICON KTC4217(O,Y)
D603	D2WT011E10	DIODE SILICON 11E1-EIC	Q803	TCA0042170	TRANSISTOR SILICON KTC4217(O,Y)
D604	D2WT011E10	DIODE SILICON 11E1-EIC	Q1001	0002700690	PHOTO COUPLER RPI-303
D605	D1VT001330	DIODE,SILICON 1SS133T-77	Q1002	TNAAC05002	COMPOUND TRANSISTOR KRC103SRTK
D609	D1VT001330	DIODE,SILICON 1SS133T-77	Q1003	0002700680	PHOTO COUPLER RPI-352C40N
D610	D1VT001330	DIODE,SILICON 1SS133T-77			

ELECTRICAL REPLACEMENT PARTS LIST

REF. NO.	PART NO.	DESCRIPTION	REF. NO.	PART NO.	DESCRIPTION
TRANSISTORS			COILS & TRANSFORMERS		
Q1004	TNAAC05002	COMPOUND TRANSISTOR KRC103SRTK	L2802	021LA66R8K	COIL 6.8 UH
Q1005	0002700690	PHOTO COUPLER RPI-303	L2803	021LA6270K	COIL 27 UH
Q1006	0000M00390	PHOTO TRANSISTOR ST-304L	L2804	021LA6680K	COIL 68 UH
Q1009	0002700680	PHOTO COUPLER RPI-352C40N	L2806	021LA6101K	COIL 100 UH
Q1010	TPAAC05002	COMPOUND TRANSISTOR KRA103SRTK	L4001	0326230038	COIL,TRAP 2623003
Q1013	T6YJ1037K0	TRANSISTOR,SILICON 2SA1037AKT146R,S	L4002	02167F101J	COIL 100 UH
Q1014	T8YJ2412K0	TRANSISTOR SILICON 2SC2412KT146 R,S	L4003	021375101K	COIL 100 UH
Q1015	T8YJ2412K0	TRANSISTOR SILICON 2SC2412KT146 R,S	L4004	02167F101J	COIL 100 UH
Q1016	T8YJ2412K0	TRANSISTOR SILICON 2SC2412KT146 R,S	L4005	0316260088	COIL,BIAS OSC 1626008
Q1017	0000M00390	PHOTO TRANSISTOR ST-304L	L4008	021673102K	COIL 1 MH
Q1021	T8YJ2412K0	TRANSISTOR SILICON 2SC2412KT146 R,S	L4009	021375101K	COIL 100 UH
Q1101	TDAT00863Y	TRANSISTOR SILICON KTD863_Y-AT	L4011	021LA6120K	COIL 12 UH
Q1102	T8YJ2412K0	TRANSISTOR SILICON 2SC2412KT146 R,S	L4012	021LA6221K	COIL 220 UH
Q1104	TCAA3875SY	TRANSISTOR SILICON KTC3875S_Y_RTK	L4013	021673101K	COIL 100 UH
Q1122	T6YJ1037K0	TRANSISTOR,SILICON 2SA1037AKT146R,S	L4015	021673101K	COIL 100 UH
Q1123	T8YJ2412K0	TRANSISTOR SILICON 2SC2412KT146 R,S	L4016	021LA6390K	COIL 39 UH
Q1253	TCAA3875SY	TRANSISTOR SILICON KTC3875S_Y_RTK	L4019	021LA6101J	COIL 100 UH
Q1262	TCAA3875SY	TRANSISTOR SILICON KTC3875S_Y_RTK	L4024	021LA6100K	COIL 10 UH
Q2801	T8YJ2412K0	TRANSISTOR SILICON 2SC2412KT146 R,S	L4025	021LA6100K	COIL 10 UH
Q2802	T6YJ1037K0	TRANSISTOR,SILICON 2SA1037AKT146R,S	L4026	021LA6100K	COIL 10 UH
Q2803	T8YJ2412K0	TRANSISTOR SILICON 2SC2412KT146 R,S	L4202	021673101K	COIL 100 UH
Q2804	T8YJ2412K0	TRANSISTOR SILICON 2SC2412KT146 R,S	L4203	021LA6100K	COIL 10 UH
Q2805	TNAAC05002	COMPOUND TRANSISTOR KRC103SRTK	L4204	021LA6100K	COIL 10 UH
Q2806	T8YJ2412K0	TRANSISTOR SILICON 2SC2412KT146 R,S	L4205	021375101K	COIL 100 UH
Q2807	TNAAC05002	COMPOUND TRANSISTOR KRC103SRTK	L6001	021LA62R7K	COIL 2.7 UH
Q3001	TC10013840	TRANSISTOR SILICON 2SC13840W	L6002	021LA61R0M	COIL 1 UH
Q4001	TCAT032034	TRANSISTOR, SILICON KTC3203_Y-AT	L6004	021LA6R22M	COIL 0.22 UH
Q4002	TCAT032034	TRANSISTOR, SILICON KTC3203_Y-AT	L6005	033600036R	COIL VIDEO IFT 3600036
Q4003	TPAAC05002	COMPOUND TRANSISTOR KRA103SRTK	L6006	021LA6100K	COIL 10 UH
Q4004	TCATC31980	TRANSISTOR,SILICON KTC3198-AT(Y,GR)	T401	045009003J	TRANS,HORIZONTAL DRIVE ETH09K14BZ
Q4005	TCATC31980	TRANSISTOR,SILICON KTC3198-AT(Y,GR)	△ T501	0481350784	TRANSFORMER,SWITCHING 81350784
Q4006	T6YJ1037K0	TRANSISTOR,SILICON 2SA1037AKT146R,S	JACKS		
Q4007	T8YJ2412K0	TRANSISTOR SILICON 2SC2412KT146 R,S	△ J351	060G131014	RCA JACK HTJ-035-28A
Q4015	TNAAD05001	COMPOUND TRANSISTOR KRC104SRTK	J701	060Q401075	RCA JACK AV2-24D-5
Q4016	TNAAC05002	COMPOUND TRANSISTOR KRC103SRTK	△ J801	066C130015	SOCKET,CRT CVT3275-5102
Q4017	T8YJ2412K0	TRANSISTOR SILICON 2SC2412KT146 R,S	J4201	063G100042	SOCKET,21PIN 0350_9982_05
Q4018	T8YJ2412K0	TRANSISTOR SILICON 2SC2412KT146 R,S	SWITCHES		
Q4201	T8YJ2412K0	TRANSISTOR SILICON 2SC2412KT146 R,S	SW501	0530205017	SWITCH SDKVA30200
Q4202	T6YJ1037K0	TRANSISTOR,SILICON 2SA1037AKT146R,S	SW1001	0508A11002	SWITCH(LEAF) MXS01380MPP0
Q4207	T8YJ2412K0	TRANSISTOR SILICON 2SC2412KT146 R,S	SW2211	0504101T34	SWITCH,TACT EVQ211505R
Q4210	T8YJ2412K0	TRANSISTOR SILICON 2SC2412KT146 R,S	SW2212	0504101T34	SWITCH,TACT EVQ21505R
Q4211	T8YJ2412K0	TRANSISTOR SILICON 2SC2412KT146 R,S	SW2213	0504101T34	SWITCH,TACT EVQ21505R
Q4212	TNAAB05003	COMPOUND TRANSISTOR KRC102SRTK	SW2214	0504101T34	SWITCH,TACT EVQ21505R
Q6001	T8AA03881S	TRANSISTOR SILICON KTC3881S-RTK	SW2215	0504101T34	SWITCH,TACT EVQ21505R
Q6002	T8AA03881S	TRANSISTOR SILICON KTC3881S-RTK	SW2216	0504101T34	SWITCH,TACT EVQ21505R
Q6003	T8AA03881S	TRANSISTOR SILICON KTC3881S-RTK	SW2218	0504101T34	SWITCH,TACT EVQ21505R
Q6004	TC3T030000	TRANSISTOR,SILICON 2SC3000-AA	SW2219	0504101T34	SWITCH,TACT EVQ21505R
Q6005	TNAAC05002	COMPOUND TRANSISTOR KRC103SRTK	SW2220	0504101T34	SWITCH,TACT EVQ21505R
Q6006	T8YJ2412K0	TRANSISTOR SILICON 2SC2412KT146 R,S	SW2221	0504101T34	SWITCH,TACT EVQ21505R
Q6008	TNAAC05002	COMPOUND TRANSISTOR KRC103SRTK	VARIABLE RESISTORS		
Q6011	T8YJ2412K0	TRANSISTOR SILICON 2SC2412KT146 R,S	VR401	V1163Q2BTC	VOLUME,SEMI FIXED EVNCYAA03BQ2
COILS & TRANSFORMERS			VR402	V1163H3BTC	VOLUME,SEMI FIXED EVNCYAA03BE3
△ L401	021679472K	COIL 4.7 MH	VR502	V1262Q2BT6	VOLUME,SEMI FIXED RH063LCS2R
△ L402	0221000013	COIL,LINEARITY ELH5L4112N	VR6001	V1K63H4BTE	VOLUME,SEMI FIXED NVG6TLTAB223
△ L501	029T0000A1	COIL,LINE FILTER 0R7A223F24	P.C.BOX ASSEMBLIES		
△ L502	029T000092	COIL,LINE FILTER 1R0A103F24	PCB010	A5D601G010K	PCB ASS'Y VMA239A
L503	028H200015	COIL,DEGAUSS 8H200015	PCB030	A5C503G030K	PCB ASS'Y TE9A16A
L602	021375101K	COIL 100 UH	PCB070	A5D601G070K	PCB ASS'Y TMA523A
L604	021673101K	COIL 100 UH	PCB110	A5D601G110K	PCB ASS'Y TCA379A
L606	021LA61R0M	COIL 1 UH	PCB340	A5D601G340K	PCB ASS'Y TEA84A
L607	021LA6R22M	COIL 0.22 UH	PCB350	A5D601G350K	PCB ASS'Y VE9892A
L608	021LA6100K	COIL 10 UH	MISCELLANEOUS		
L609	021375101K	COIL 100 UH	B301	024HT03553	CORE,BEADS W5RH3.5X5X1.0
L610	021673101K	COIL 100 UH	B501	024HT03563	CORE,BEADS W4BRH3.5X6X1.0X2
L611	021673101K	COIL 100 UH	B502	024HT03553	CORE,BEADS W5RH3.5X5X1.0
L612	033700005R	COIL,VIDEO IFT 3700005	B503	024HT03563	CORE,BEADS W4BRH3.5X6X1.0X2
L613	02167F101J	COIL 100 UH	B1201	024HT03564	CORE,BEADS W4BRH3.5X6X1
L614	021LA6100K	COIL 10 UH	B4201	024HC36001	CORE,BEADS HCB2012K-600T25
L801	021375101K	COIL 100 UH	B4202	024HC36001	CORE,BEADS HCB2012K-600T25
L1001	021LA6120K	COIL 12 UH	BT001	1412004013	BATTERY,MANGAN R03(AB)2PXGPI
L1101	021LA6100K	COIL 10 UH	BT002	1412004013	BATTERY,MANGAN R03(AB)2PXGPI
L1102	021375101K	COIL 100 UH	CD351	06CU273301	CORD CONNECTOR CU273301
L1103	021375101K	COIL 100 UH	CD352	06CU251801	CORD CONNECTOR CU251801
L1203	02167F100J	COIL 100 UH	CD501	1206459803	CORD AC BUSH 6459803
L1204	02167F101J	COIL 100 UH	CD502	06CUU23001	CORD CONNECTOR CUU23001
L1205	021LA6100K	COIL 10 UH	CD506	069X620040	CONNECTOR JM-2BK-61
L2801	02167F470J	COIL 47 UH	CD601	06CU2E3501	CORD CONNECTOR CU2E3501

ELECTRICAL REPLACEMENT PARTS LIST

REF. NO.	PART NO.	DESCRIPTION	
MISCELLANEOUS			
CD602	06CH01006A	CORD CONNECTOR	CH01006A
CD801	127C210012	BRAIDED WIRE	TD-2081
CD803	WDL6030038	FLAT CABLE AWM2468	AWG26 6C BLACK 300MM
CD850	06CU253901	CORD CONNECTOR	CU253901
CF601	102E038R9B	FILTER,SAW	K3953M
CF602	102E238R94	FILTER,SAW	K9650M
CF603	1012T03101	FILTER CERAMIC TRAP	MKT31.9MA110P-TF
CF604	1012T04001	FILTER,CERAMIC TRAP	MKT40.4MA110P-TF
CF605	1012T5R507	FILTER CERAMIC TRAP	TPWA02B-TF21
CP354	069W120029	CONNECTOR PCB SIDE	TID-X02P-M1
CP401	069S450089	CONNECTOR PCB SIDE	A1561WV2-A5P
CP403	069D01001A	CONNECTOR PCB SIDE	003P-2100
CP501	069S320419	CONNECTOR PCB SIDE	A3963WV2-3PD
△ CP502	069S420110	CONNECTOR PCB SIDE	A1561WV2-2P
CP503	069X620030	CONNECTOR PCB SIDE	RE-H022TD-1130
CP601	067U014019	WIRE HOLDER	B2013H02-14P
CP603	069X170379	CONNECTOR PCB SIDE	07JQ-ST
CP802	069S320010	CONNECTOR PCB SIDE	A2361WV2-2P
CP810	069S290629	CONNECTOR PCB SIDE	A2001WV2-9P
CP820	069S2E0629	CONNECTOR PCB SIDE	A2001WV2-14P
CP850	069S250629	CONNECTOR PCB SIDE	A2001WV2-5P
CP851	067U005049	WIRE HOLDER	B2013H02-5P
CD1101	06CUH14004	CORD COAXIAL	CUH14004
CD3001	06CU293101	CORD CONNECTOR	CU293101
CD4005	122S061401	CORD JUMPER	1.25X6X138XC
CF1101	1012T03101	FILTER CERAMIC TRAP	MKT31.9MA110P-TF
CF6001	102A238R92	FILTER,SAW	K9453M
CF6002	102E038R9B	FILTER,SAW	K3953M
CF6004	1012T04001	FILTER,CERAMIC TRAP	MKT40.4MA110P-TF
CF6005	1012T5R507	FILTER CERAMIC TRAP	TPWA02B-TF21
CF6006	1012T05R52	FILTER,CERAMIC	SFE5.5MC2-TF21
CP1001	06972C0010	CONNECTOR PCB SIDE	TMC-J12P-B2
CP3001	067U009039	WIRE HOLDER	B2013H02-9P
CP4001	0697290620	CONNECTOR PCB SIDE	TOC-C09X-A1
CP4004	0697120320	CONNECTOR PCB SIDE	TMC-T02X-E1
CP4005	069J760029	CONNECTOR PCB SIDE	IMSA-9604S-06Z14
CP4202	069S270629	CONNECTOR PCB SIDE	A2001WV2-7P
CP4203	069S250629	CONNECTOR PCB SIDE	A2001WV2-5P
CP6001	069J1D0260	CONNECTOR PCB SIDE	6035B-13Z002-T
CP803A	067U006049	WIRE HOLDER	B2013H02-6P
CP803B	067U006049	WIRE HOLDER	B2013H02-6P
CUS011	800WFAA006	CUSHION A	
CUS011	800WFAA007	CUSHION B	
CUS013	800WFAA008	CUSHION C	
CUS351	800WFAA006	CUSHION A	
EL001	124120301A	EYE LET	XRY20X30BD
△ F501	080NT04004	FUSE	50T040H
△ FB401	043221012F	TRANSFORMER,FLYBACK	3221012F
FH501	06710T0006	HOLDER,FUSE	EYF-52BC
FH502	06710T0006	HOLDER,FUSE	EYF-52BC
△ ICP502	0845T05003	IC PROTECTOR	20P_5000
ICP504	0845T05003	IC PROTECTOR	20P_5000
OS2202	077Q037003	REMOTE RECEIVER	PIC-37143SY
△ RY501	0560V20115	RELAY	ALKS321
SP354	070C133016	SPEAKER	SA08A06BWA
△ TH501	D8R0A140M0	DEGAUSS ELEMENT	PTDAA1BF140M200
TM101	076R0CH690	TRANSMITTER	R25-1896
△ TU601	0145517003	TUNER,VHF-UHF	TUWRF4EG-776F2S
TU1101	0145517004	TUNER,VHF-UHF	TUWRF4EG-777F2
△ V801	098A210440	CRT W/DY	A51EER33X74
X601	100CT4R408	CRYSTAL	HC-49/U
X1001	100CT01002	CRYSTAL	HC-49/U-S
X1002	100DA32R01	CRYSTAL	DT-26
X1201	100CT01302	CRYSTAL	HC-49/U-S
X4001	100CT4R407	CRYSTAL	HC-49/U

RESISTOR

RC..... CARBON RESISTOR

CAPACITORS

CC..... CERAMIC CAPACITOR
 CE..... ALUMI ELECTROLYTIC CAPACITOR
 CP..... POLYESTER CAPACITOR
 CPP..... POLYPROPYLENE CAPACITOR
 CPL..... PLASTIC CAPACITOR
 CMP..... METAL POLYESTER CAPACITOR
 CMPL..... METAL PLASTIC CAPACITOR
 CMPP..... METAL POLYPROPYLENE CAPACITOR

SPEC.NO.	M5D6-08G
O/R NO.	U2Y5548